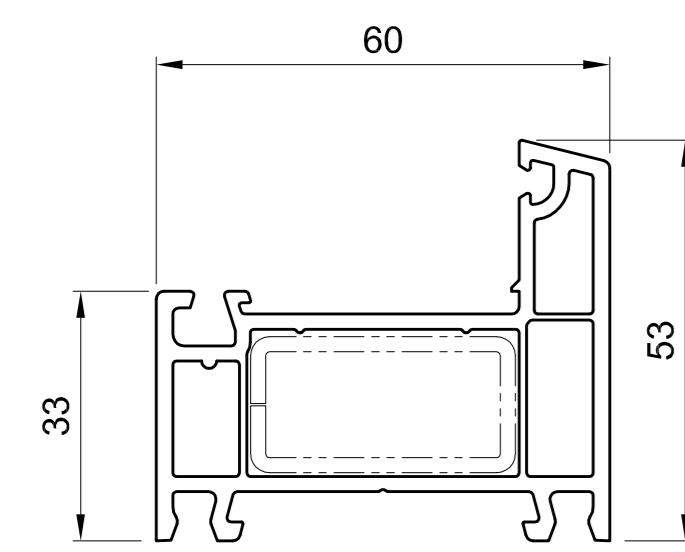
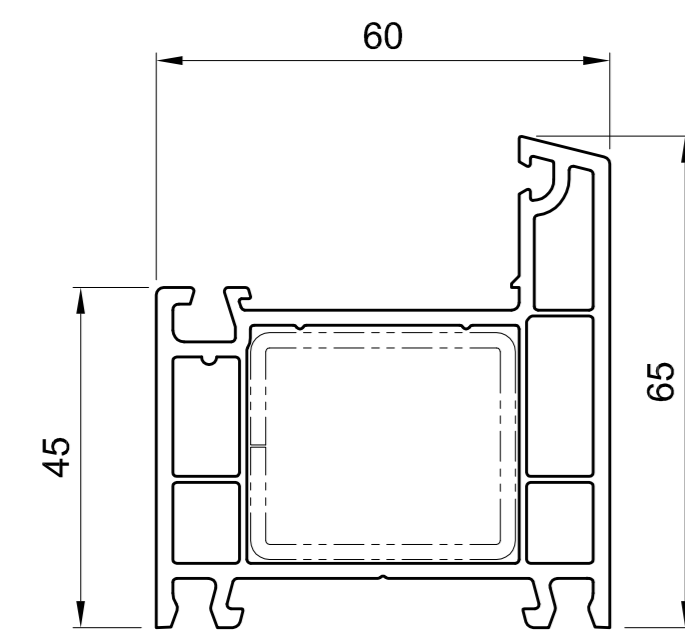


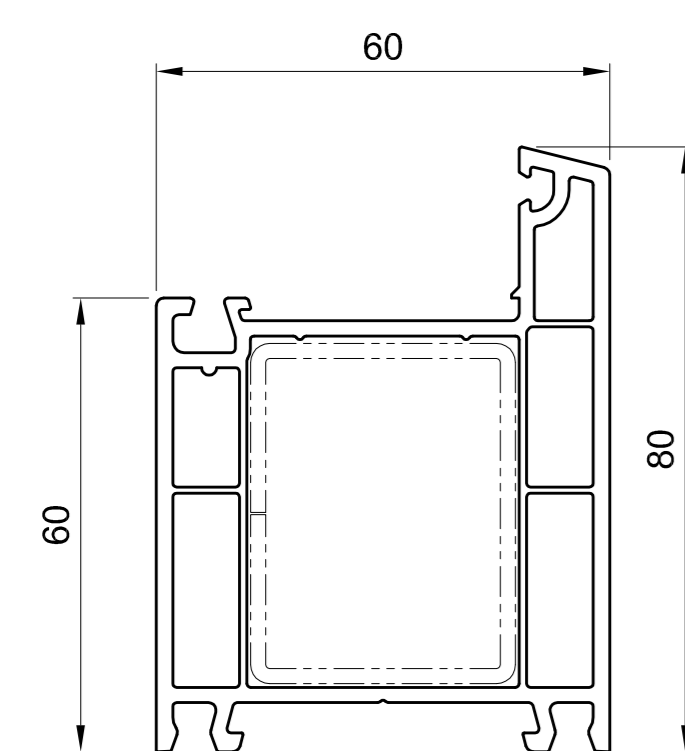
Frame



240 020
Steel tube 35x18:
445 020

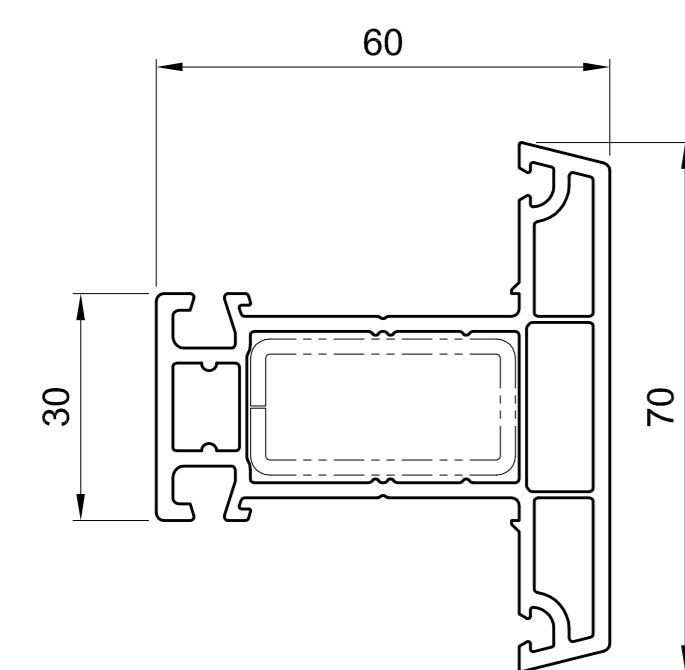


240 030
Steel tube 35x30:
445 030



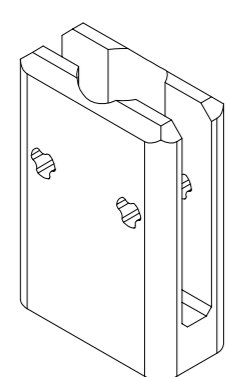
240 040
Steel tube 35x45:
445 040

Mullion



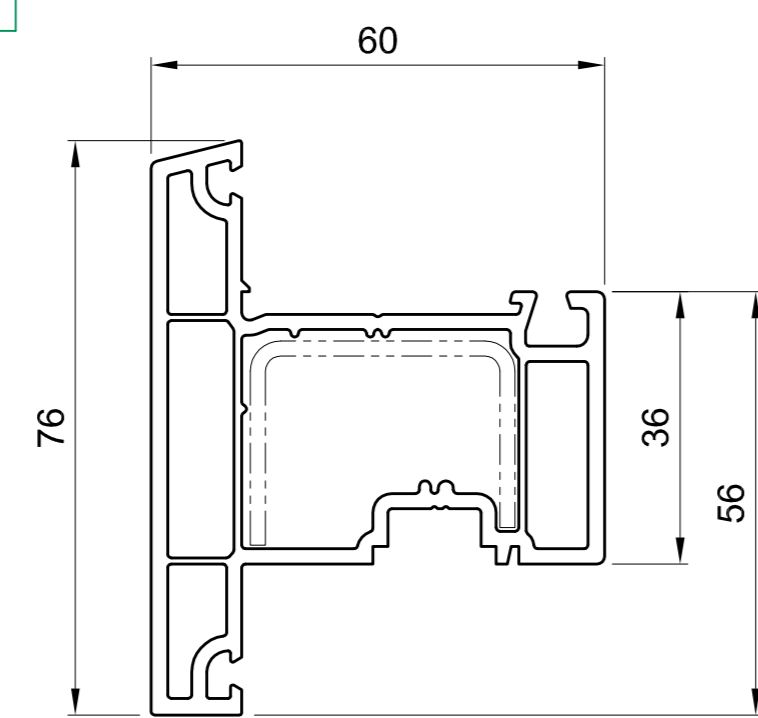
242 020
Steel tube 35x18:
445 020
Drilling template:
448 420

Coupler

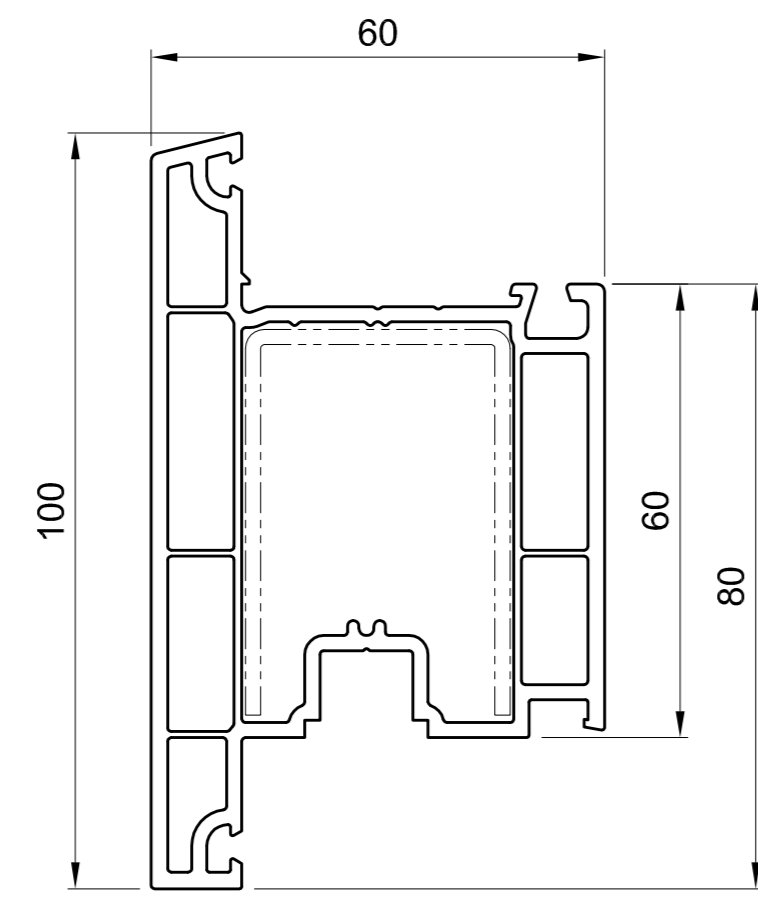


248 020
Drilling template:
448 420

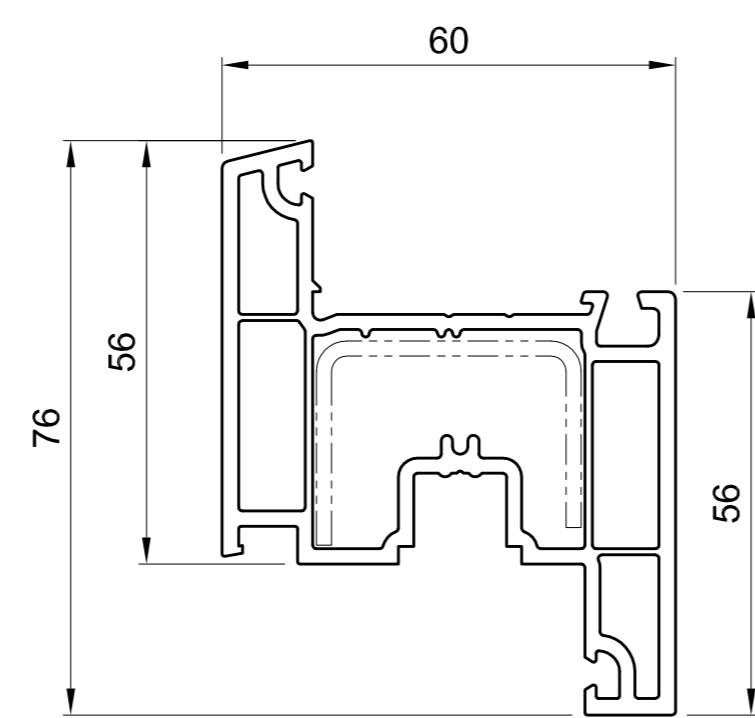
Sash



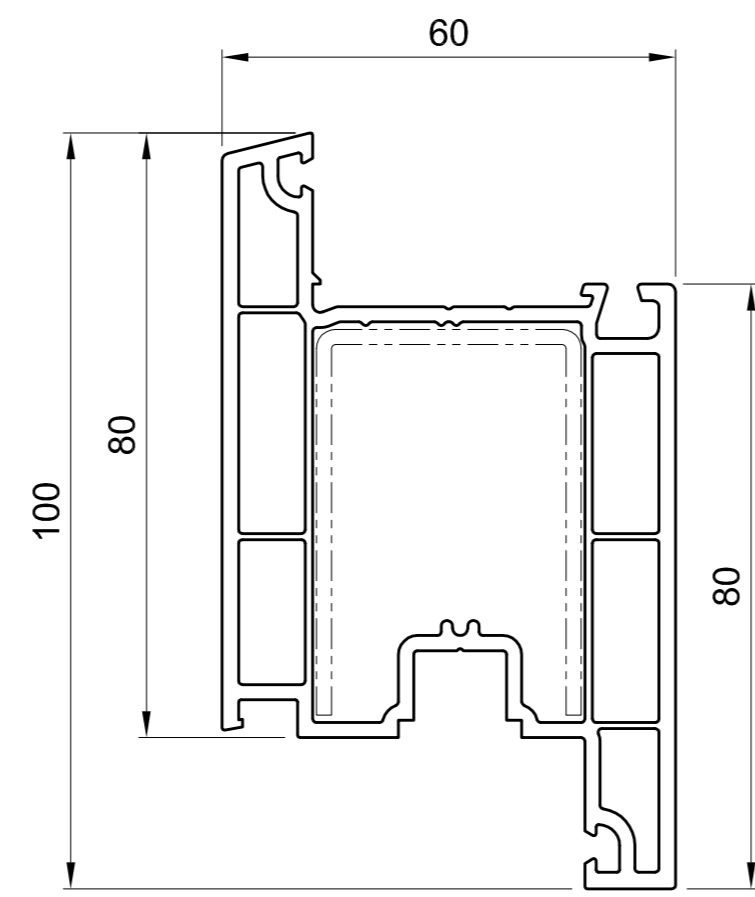
341 030
Reinforcement 35x27:
445 230
Steel tube 35x27:
445 020



341 040
Reinforcement 35x51:
445 240
Steel tube 35x40:
445 140

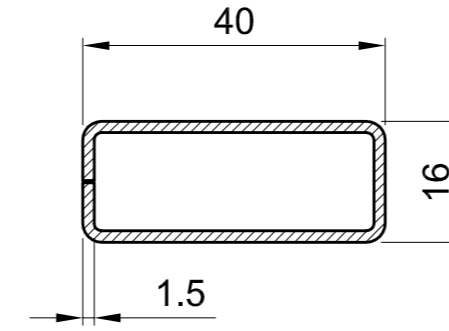


241 020
Reinforcement 35x27:
445 230

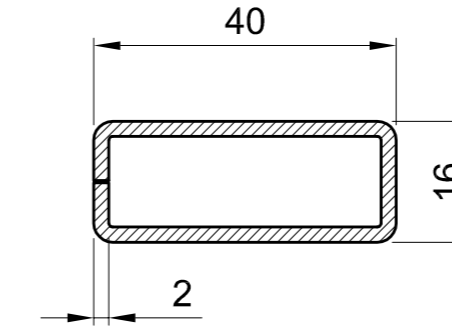


241 040
Reinforcement 35x51:
445 240
Steel tube 35x40:
445 140

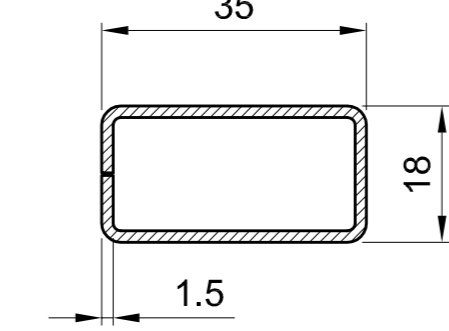
Reinforcement



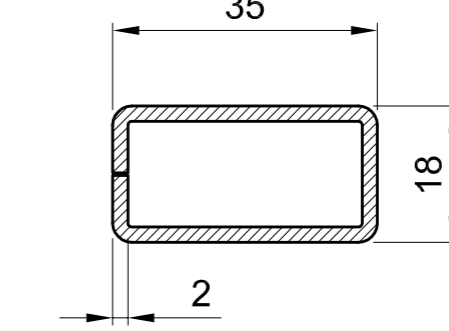
445 010
40 / 16 / 1,5 mm
galvanized steel
Ix= 0,66 cm⁴
Iy= 2,85 cm⁴
Insert: 246 030



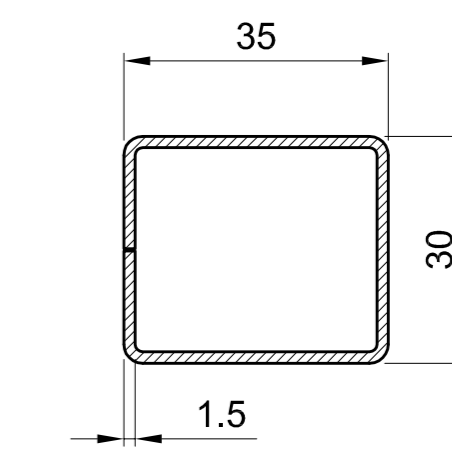
445 010
40 / 16 / 2 mm
galvanized steel
Ix= 0,82 cm⁴
Iy= 3,65 cm⁴
Insert: 246 030



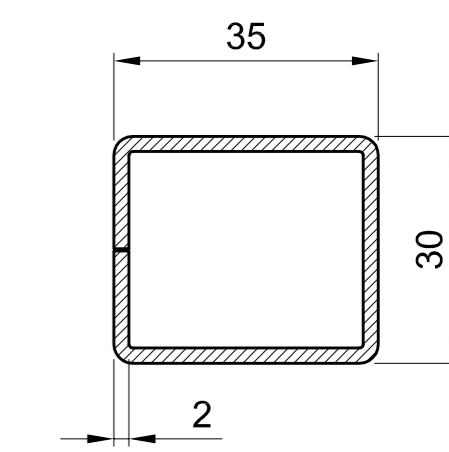
445 020
40 / 16 / 1,5 mm
galvanized steel
Ix= 0,77 cm⁴
Iy= 2,19 cm⁴
Insert: 240 020, 341 030,
242 020, 242 310



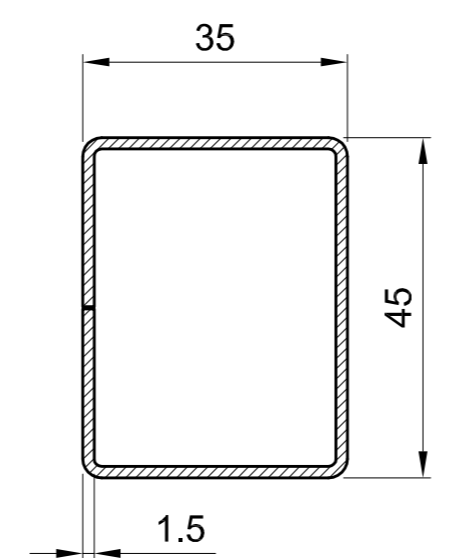
445 020
40 / 16 / 1,5 mm
galvanized steel
Ix= 0,95 cm⁴
Iy= 2,79 cm⁴
Insert: 240 020, 341 030,
242 020, 242 310



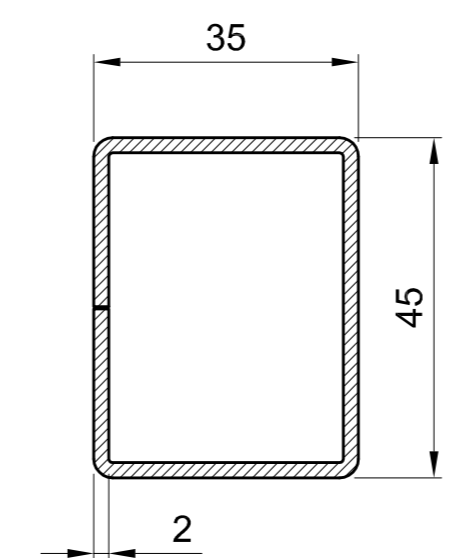
445 030
35 / 30 / 1,5 mm
galvanized steel
Ix= 2,53 cm⁴
Iy= 3,20 cm⁴
Insert: 240 030



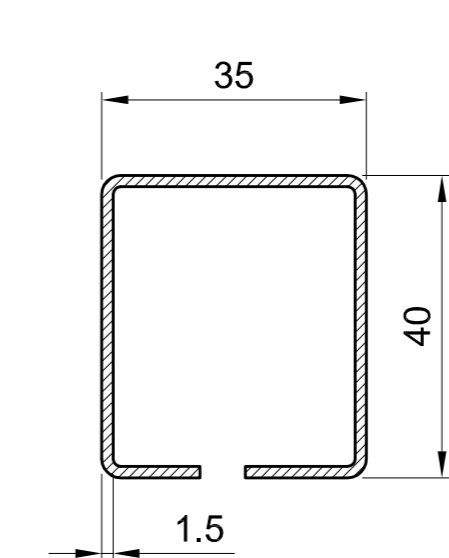
445 030
35 / 30 / 2 mm
galvanized steel
Ix= 3,23 cm⁴
Iy= 4,10 cm⁴
Insert: 240 030



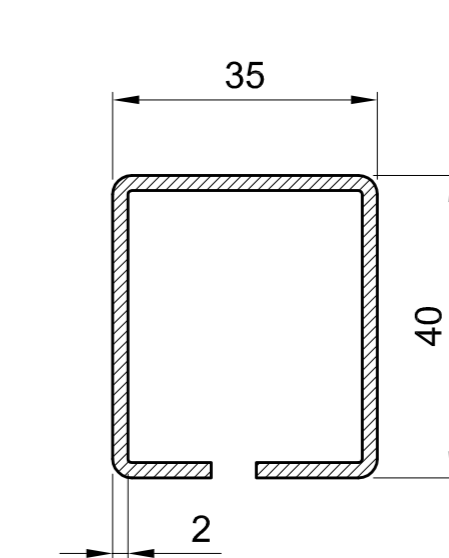
445 040
35 / 45 / 1,5 mm
galvanized steel
Ix= 6,60 cm⁴
Iy= 4,46 cm⁴
Insert: 240 040



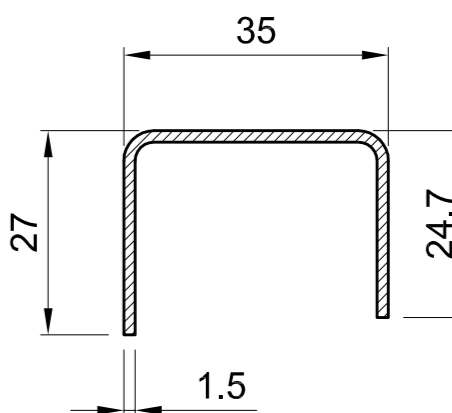
445 040
35 / 40 / 1,5 mm
galvanized steel
Ix= 8,52 cm⁴
Iy= 5,73 cm⁴
Insert: 240 040



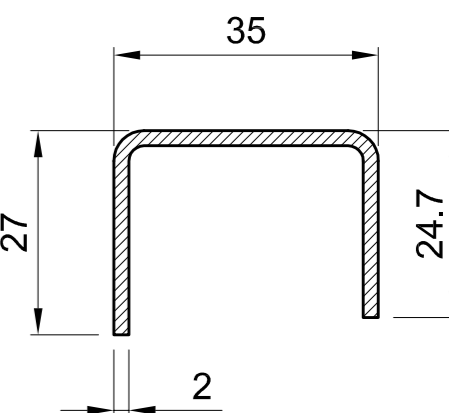
445 140
35 / 40 / 1,5 mm
galvanized steel
Ix= 4,64 cm⁴
Iy= 4,05 cm⁴
Insert: 341 040, 241 040



445 140
35 / 40 / 2 mm
galvanized steel
Ix= 5,96 cm⁴
Iy= 5,20 cm⁴
Insert: 341 040, 241 040

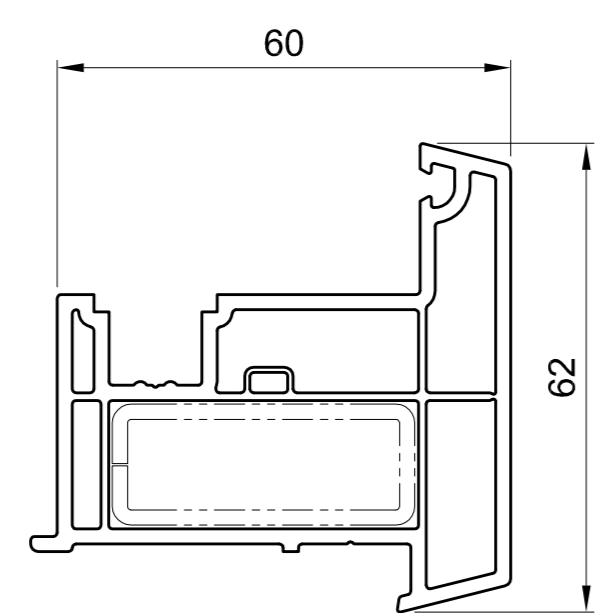


445 230
35 / 27 / 1,5 mm
galvanized steel
Ix= 0,85 cm⁴
Iy= 2,46 cm⁴
Insert: 341 030,
241 020

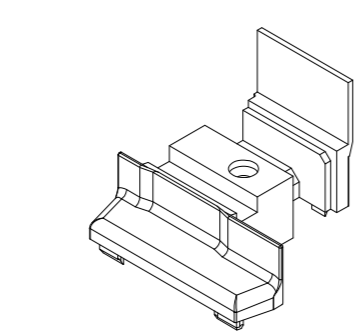


445 230
35 / 27 / 2 mm
galvanized steel
Ix= 1,10 cm⁴
Iy= 3,16 cm⁴
Insert: 341 030,
241 020

Floating mullion

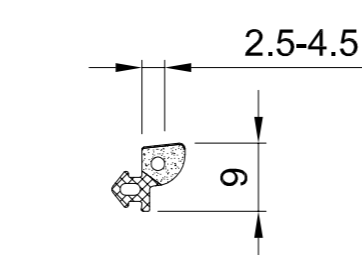


246 030
Steel tube 40x16:
445 010

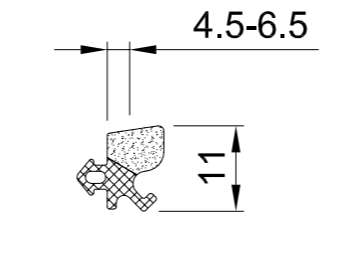


247 030
End cap

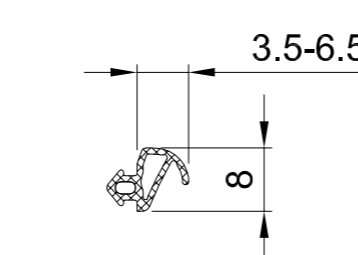
Gaskets



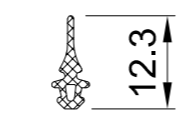
414 566
Glazing gasket
foamed
for frame / sash /
mullion (in sash)



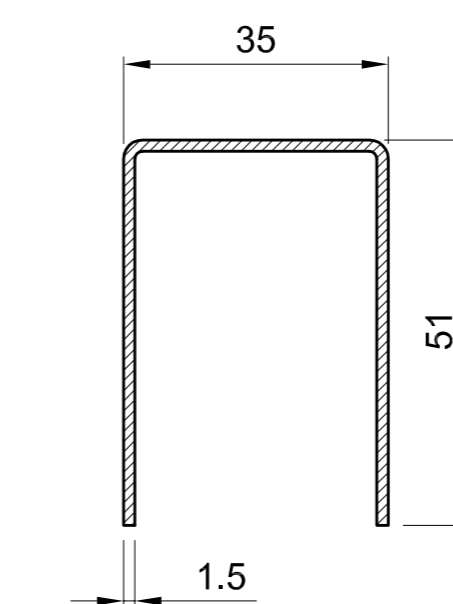
414 573
Glazing gasket
foamed
for frame / sash /
mullion (in sash)



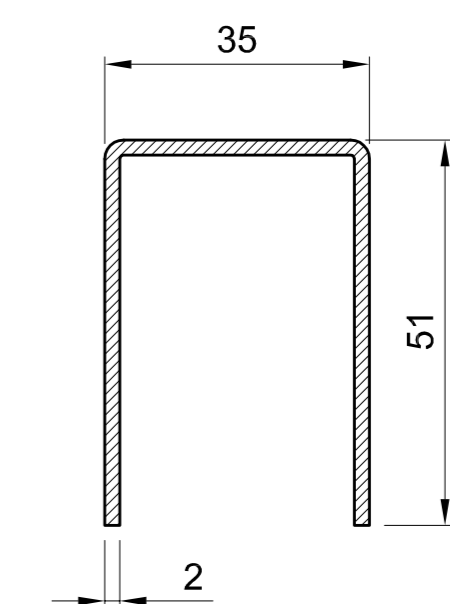
414 025
Stopper gasket
for frame / sash /
mullion (in frame) /
floating mullion



604 930
Graze gasket
for weatherbar

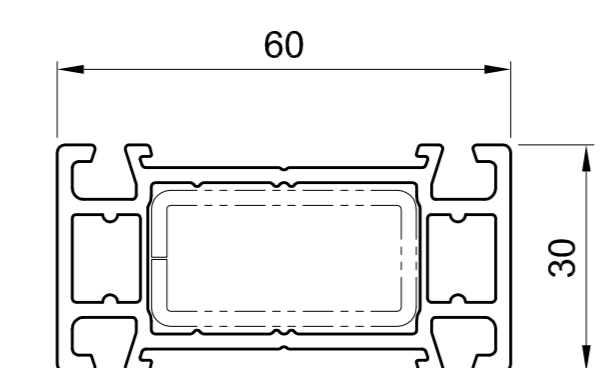


445 240
35 / 51 / 1,5 mm
galvanized steel
Ix= 5,47 cm⁴
Iy= 4,64 cm⁴
Insert: 341 040, 241 040

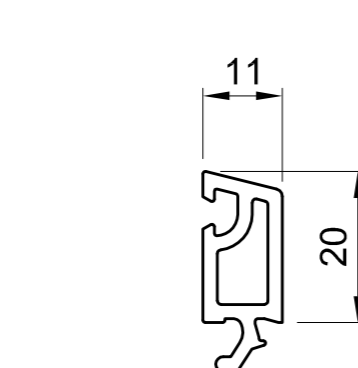


445 240
35 / 51 / 2 mm
galvanized steel
Ix= 7,18 cm⁴
Iy= 5,98 cm⁴
Insert: 341 040, 241 040

Universal profile



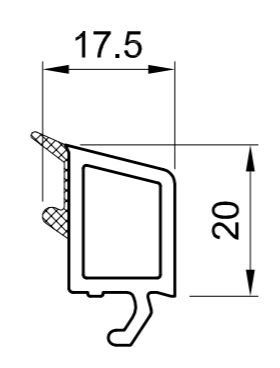
242 310
Steel tube 35x18:
445 020
Drilling template:
448 420



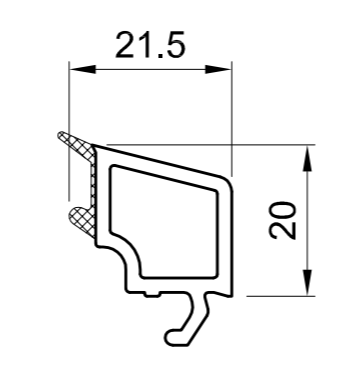
443 310
Overlap bead

Glazing beads

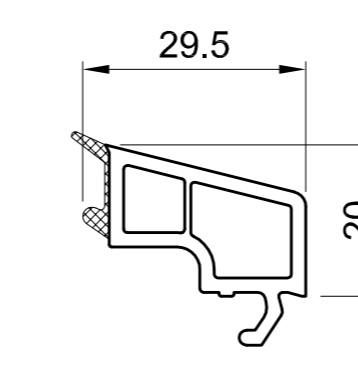
Use only on the inside



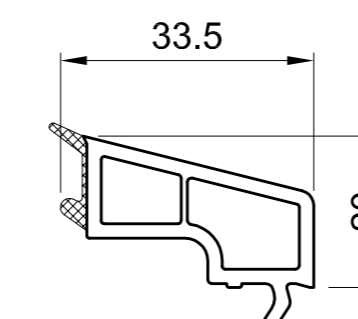
413 817



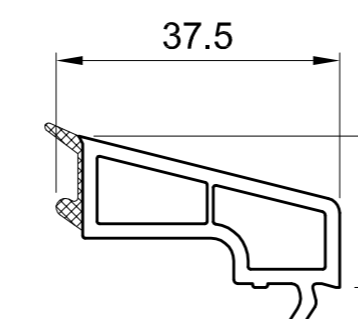
413 821



413 829

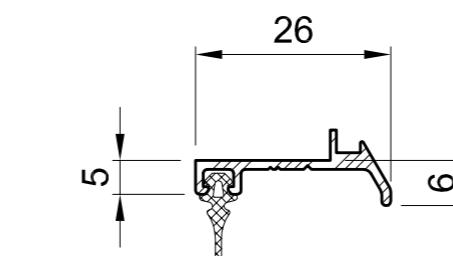


413 833



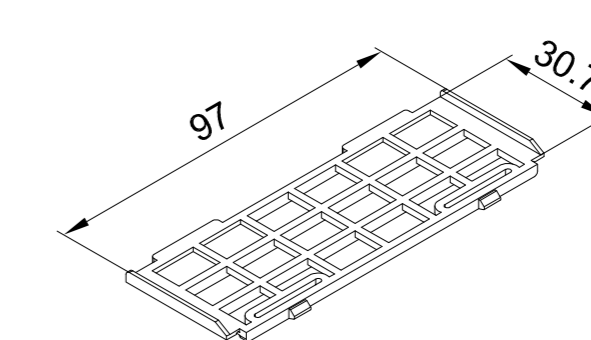
413 837

Weatherbar



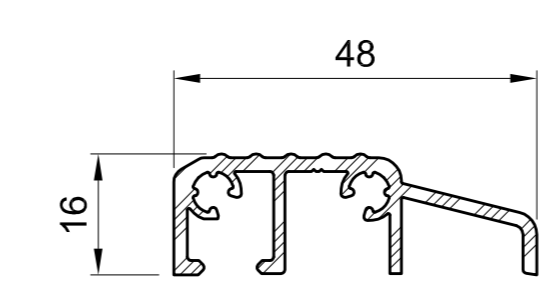
446 600
Graze gasket
604 930

Glazing bridge

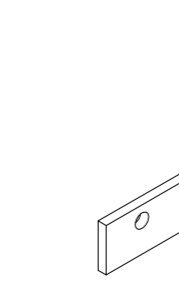


247 040

Threshold

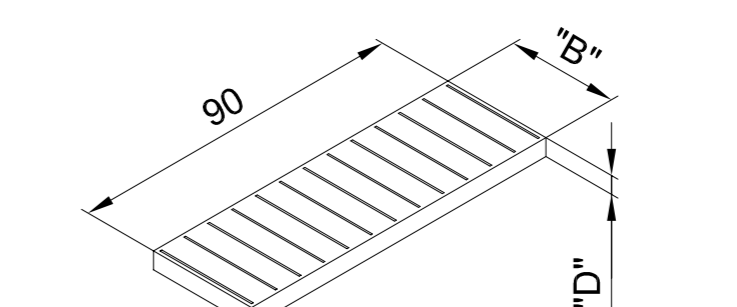


447 300
Drilling template:
448 400



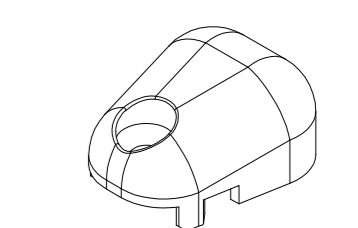
447 900
Spacer

Glass setting blocks

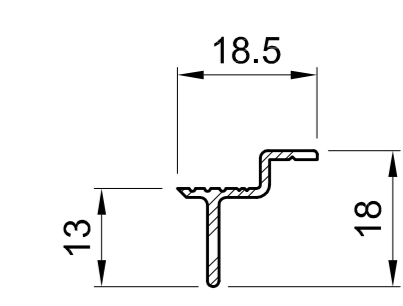


Part no.	Width "B"	Thickness "D"
407 111 - 407 115	26 mm	1-5 mm
407 131 - 407 135	30 mm	1-5 mm

Accessories



447 015
Interia block



446 630
Aluminium angle