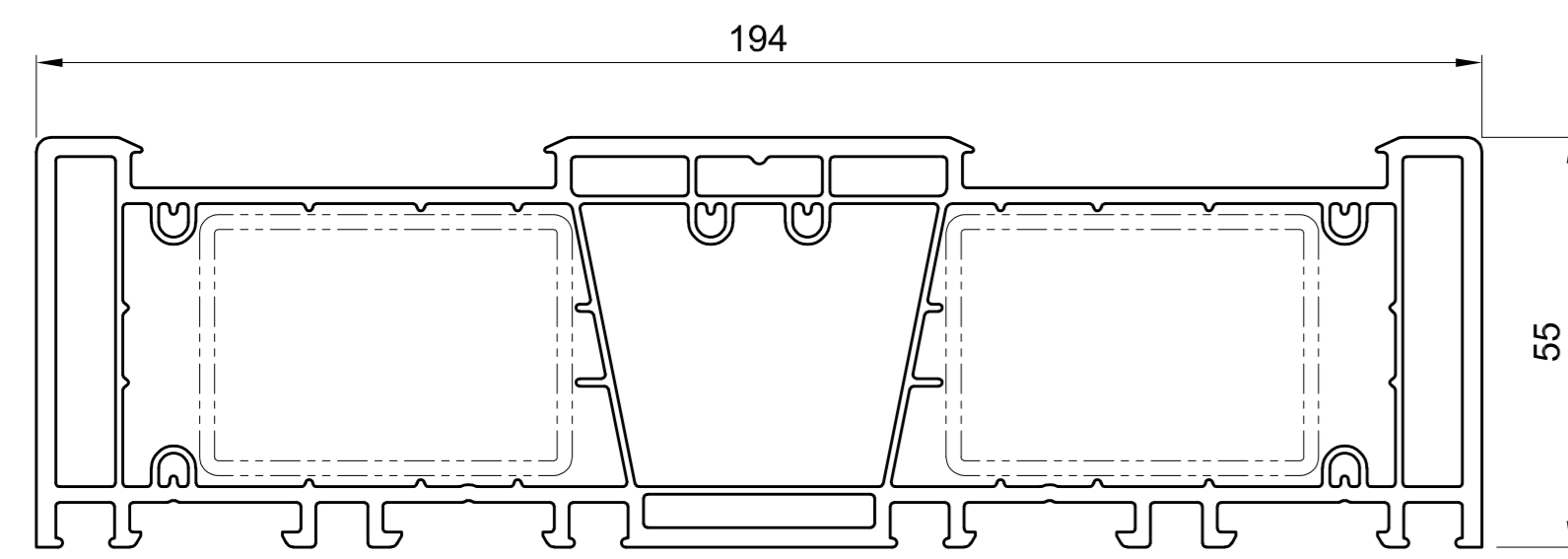
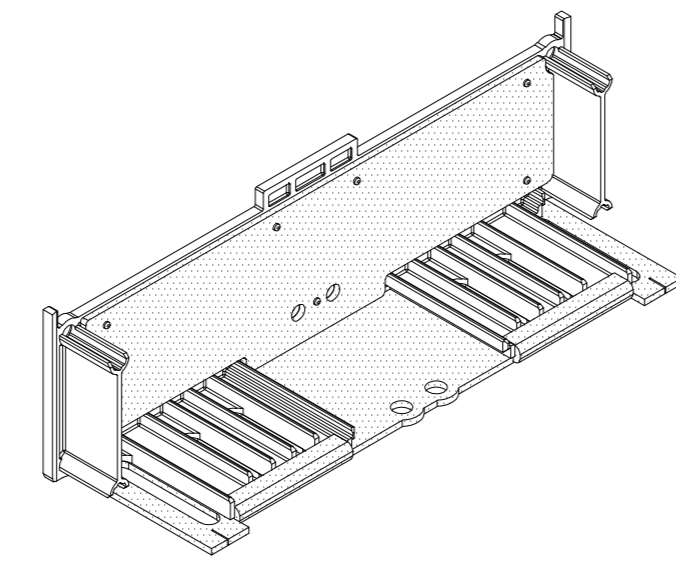


Frame

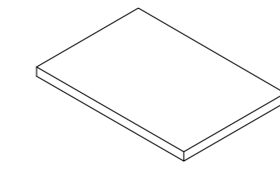


HS8050

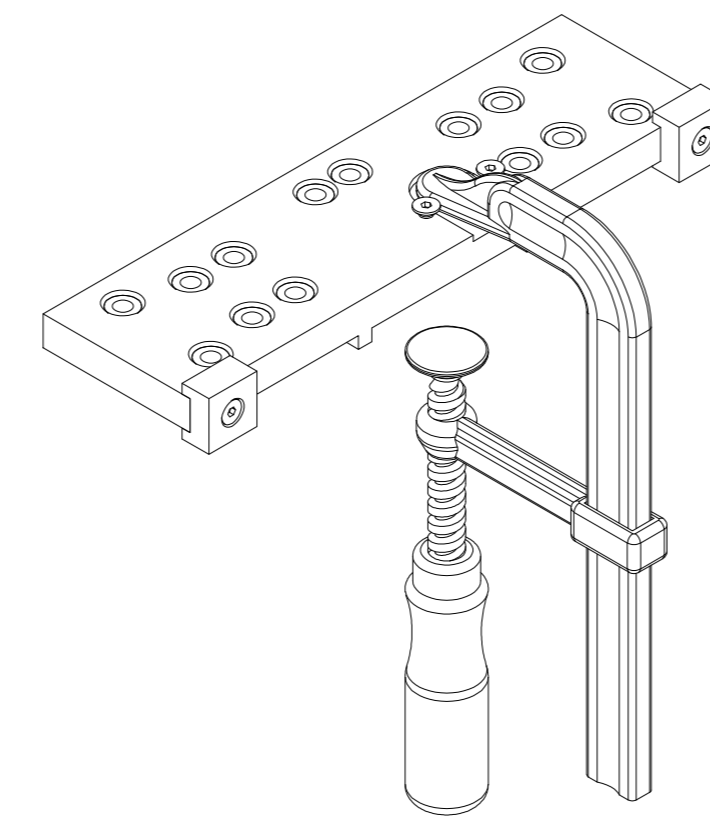
Steel tube: 50x35 VS9050
 Steel tube: 59x35 VS9060
 Reinforcement: 59x37 VS9040
 Aluminium reinforcement: VA9060*



ZS8055
End cap set

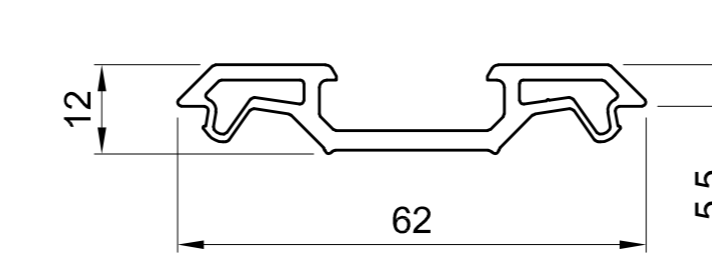


ES8656
Filler element

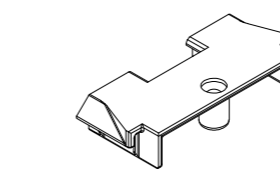


MT8605
Drilling template

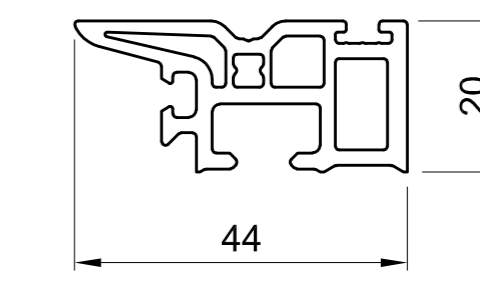
Bars



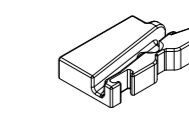
HS9010
Guide bar



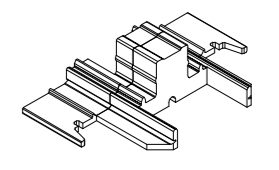
ES9615
End cap



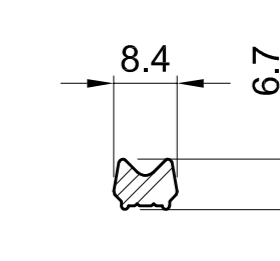
HS9080
Central sealing strip
Fixing nipple:
407 900



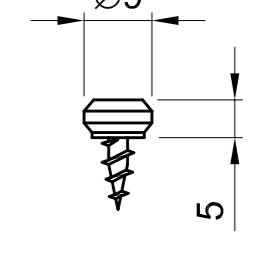
ES9680
End cap



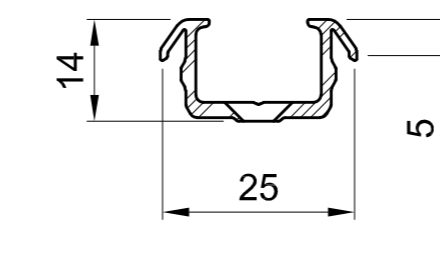
MT9686
Sealing block



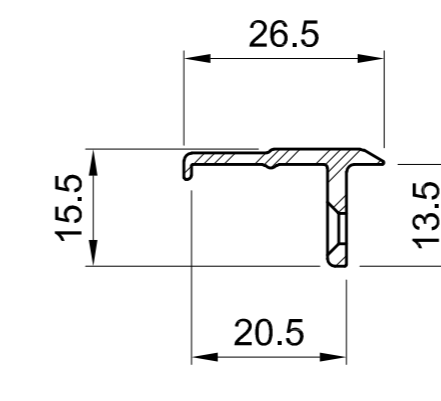
406 635
Fixing profile
Aluminium



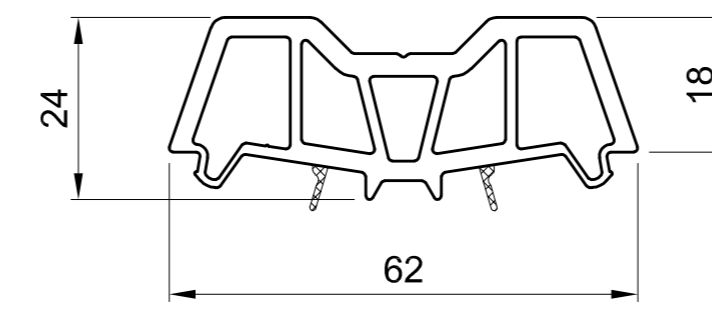
407 900
Fixing nipple



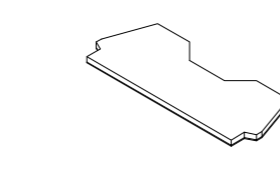
VA9610
Guide bar



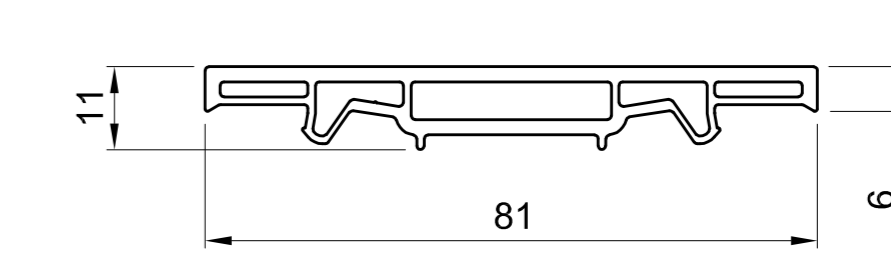
VA9640
Sealing strip (aluminium)



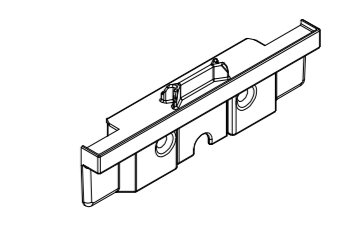
HS9020
Fitting bar



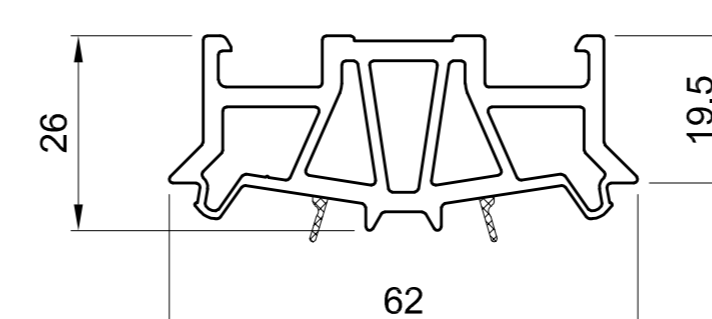
MT9620
Sealing block



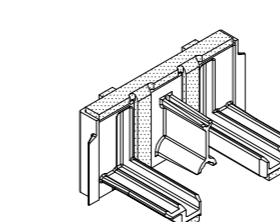
HS9050
Cover fillet



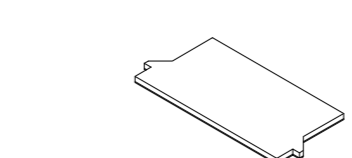
ES9655
End cap



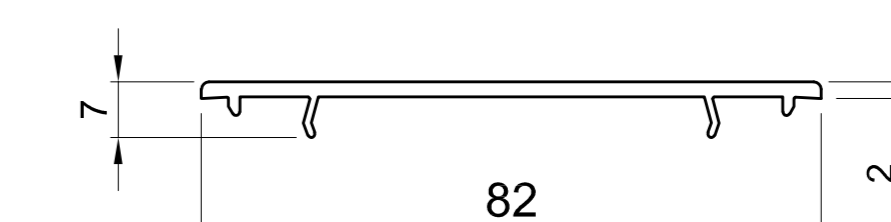
HS9070
Adapter bar for fixed leaf



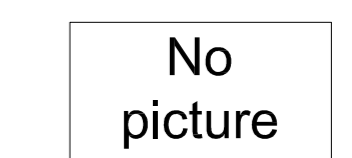
ZS9670
End cap



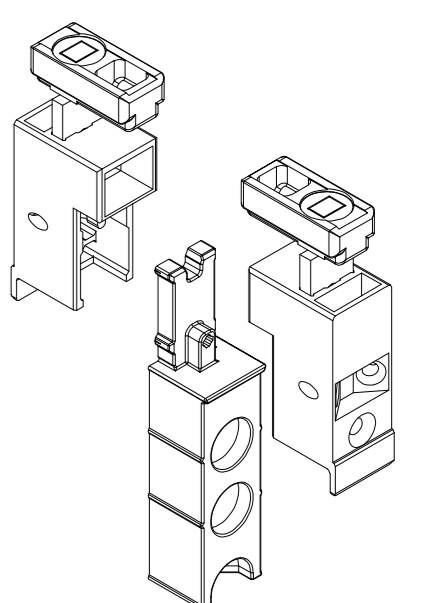
MT9670
Sealing block



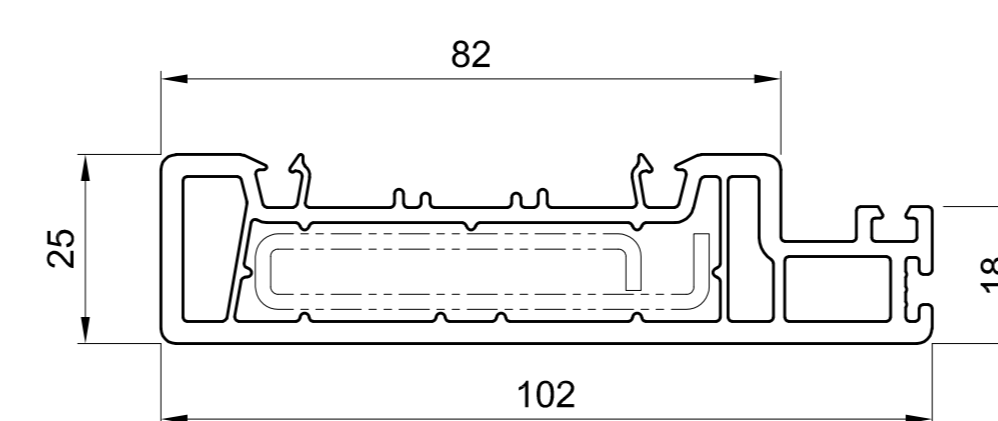
NP8180
Cover fillet



ZS8000
Mounting set

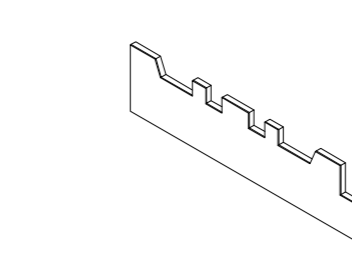


ZS8010
Slider set

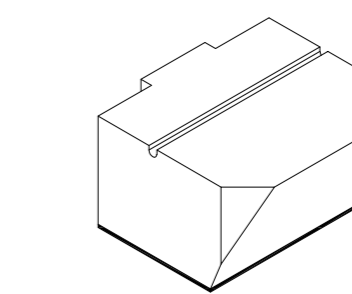


HS9040
Chuck strip (single-rail)
Reinforcement:
415 173

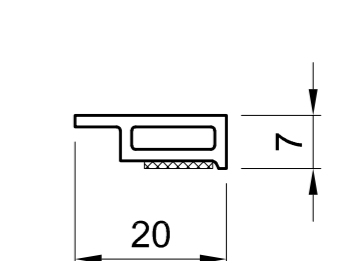
417 740
Sealing tape



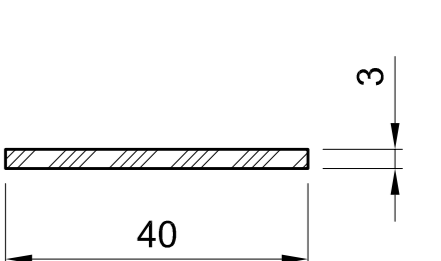
MT9640
Sealing block



MT9646
Sealing block



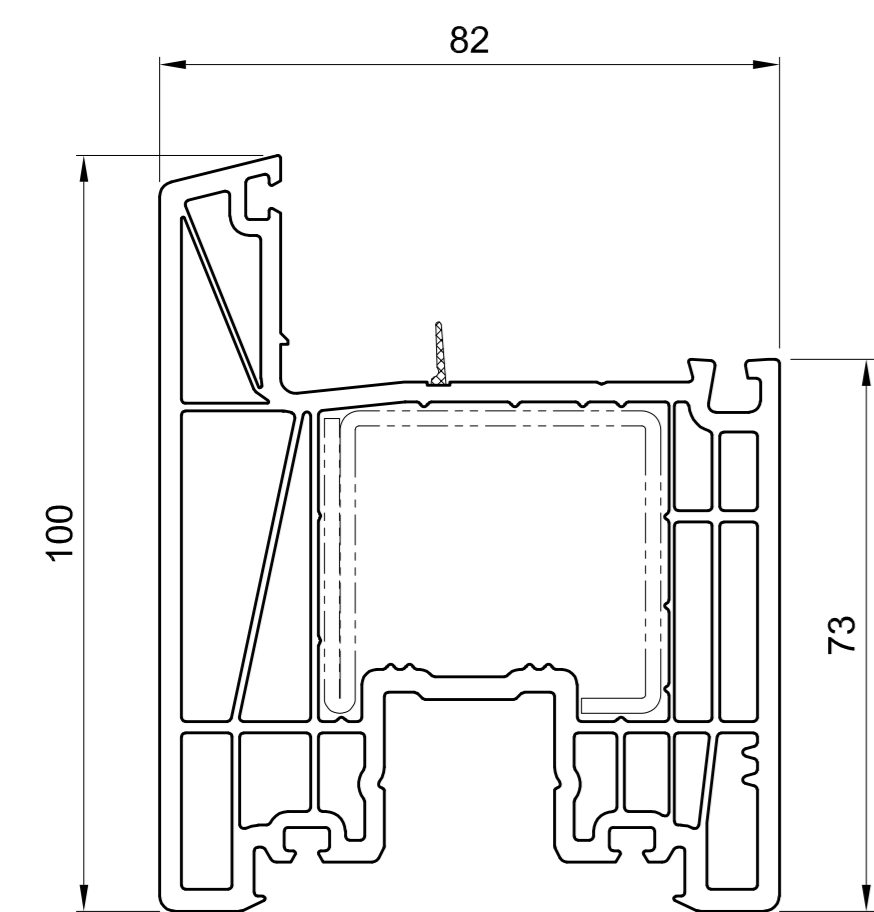
416 327
Cover profile



VA9740
Cover profile

* in preparation

Casement

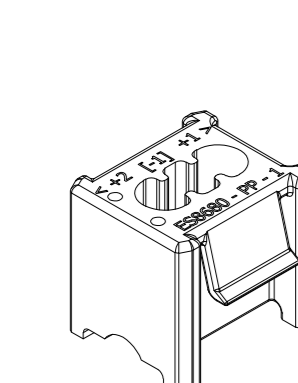


HS8600

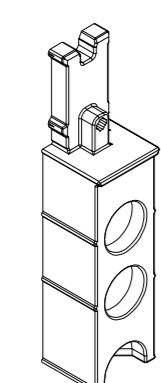
Steel tube: 33x44,5 VS9610
 Reinforcement: 40x44,5 VS9600
 Reinforcement: 40x44,5 VS9620

Aluminium reinforcement: VA9600*
 VA9620*

Rebate reinforcement: 50x3 MT8500

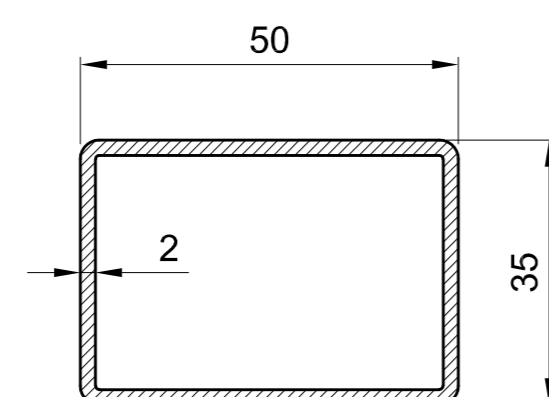


ES8680
Spacer



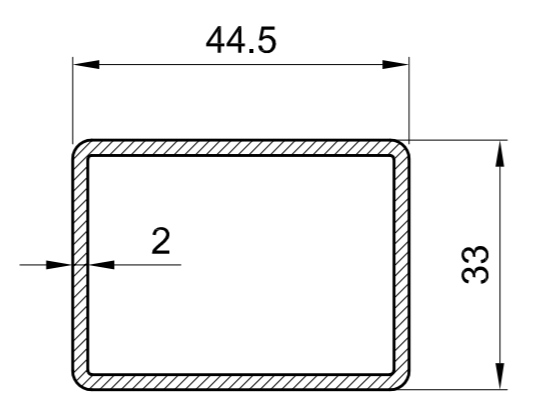
MT8640
Stabilisation

Reinforcement



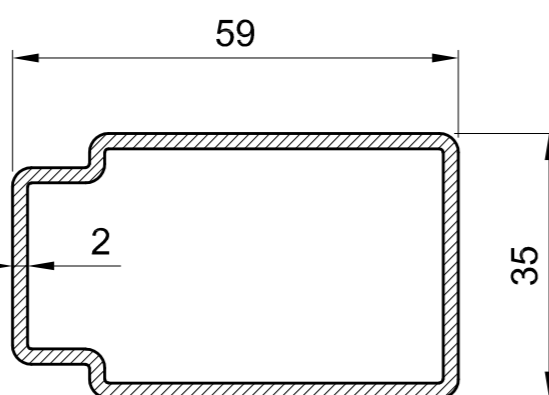
VS9050

Steel tube
50 / 35 / 2 mm
galvanized steel
 $I_x = 6,30 \text{ cm}^4$
 $I_y = 11,00 \text{ cm}^4$
Insert: HS8050



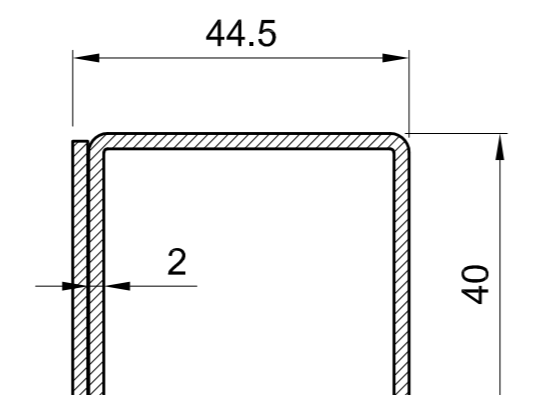
VS9610

Steel tube
44,5 / 33 / 2 mm
galvanized steel
 $I_x = 4,90 \text{ cm}^4$
 $I_y = 7,90 \text{ cm}^4$
Insert: HS8600



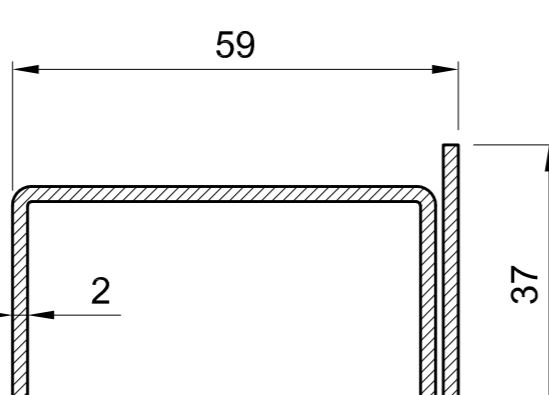
VS9060

Horizontal reinforcement
50 / 35 / 2 mm
galvanized steel
 $I_x = 6,67 \text{ cm}^4$
 $I_y = 15,43 \text{ cm}^4$
Insert: HS8050



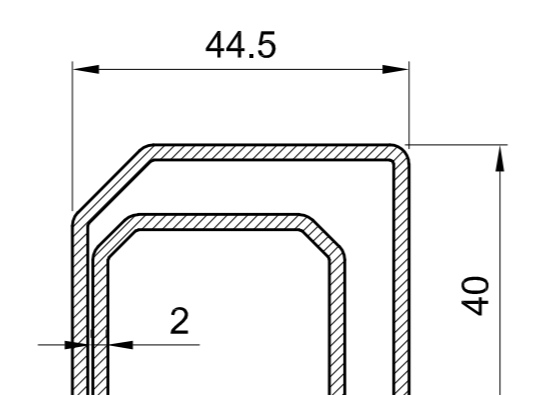
VS9600

Reinforcement
44,5 / 40 / 2 mm
galvanized steel
 $I_x = 5,90 \text{ cm}^4$
 $I_y = 10,90 \text{ cm}^4$
Insert: HS8600



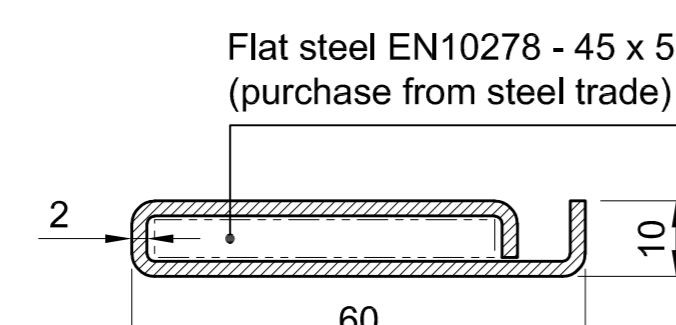
VS9040

Reinforcement
59 / 37 / 2 mm
galvanized steel
 $I_x = 3,10 \text{ cm}^4$
 $I_y = 16,30 \text{ cm}^4$
Insert: HS8050



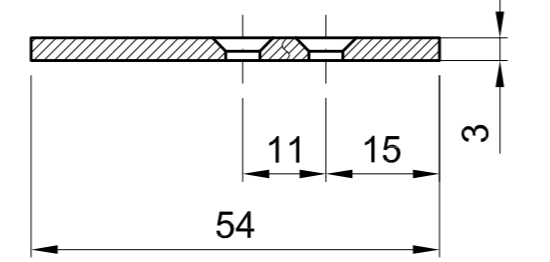
VS9620

Reinforcement
44,5 / 40 / 2 mm
galvanized steel
 $I_x = 6,20 \text{ cm}^4$
 $I_y = 11,20 \text{ cm}^4$
Insert: HS8600



415 173

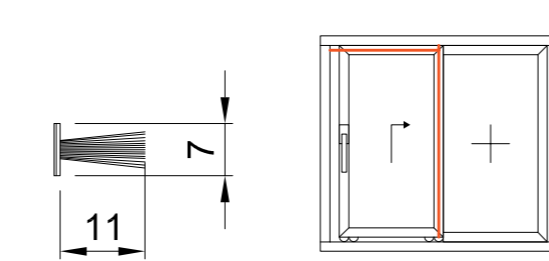
Reinforcement
60 / 10 / 2 mm
galvanized steel
 $I_x = 0,36 \text{ cm}^4$
 $I_y = 8,31 \text{ cm}^4$
Insert: HS9040



MT8500

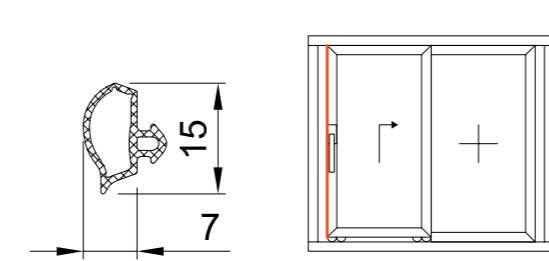
Rebate
reinforcement
50 / 3 mm
galvanized steel
 $I_x = 0,00 \text{ cm}^4$
 $I_y = 3,10 \text{ cm}^4$
Insert: HS8600

Gaskets



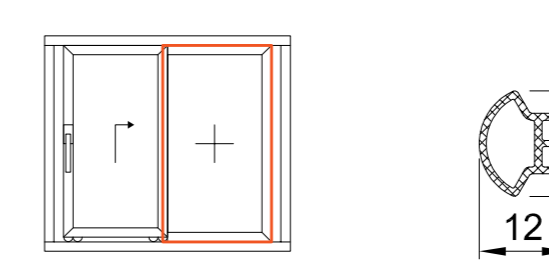
DP9065

Brush gasket
Insert:
chuck strip;
central sealing strip



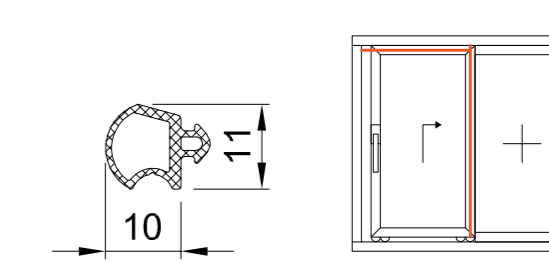
DP8650

EPDM casement gasket
Insert: along the fitting; in the fixed leaf



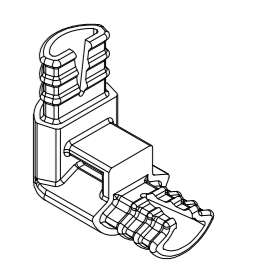
DP8600

EPDM casement gasket
Insert: along the threshold



DP9080

EPDM gasket
Insert: chuck strip; central sealing strip



MT8600

Corner gasket piece