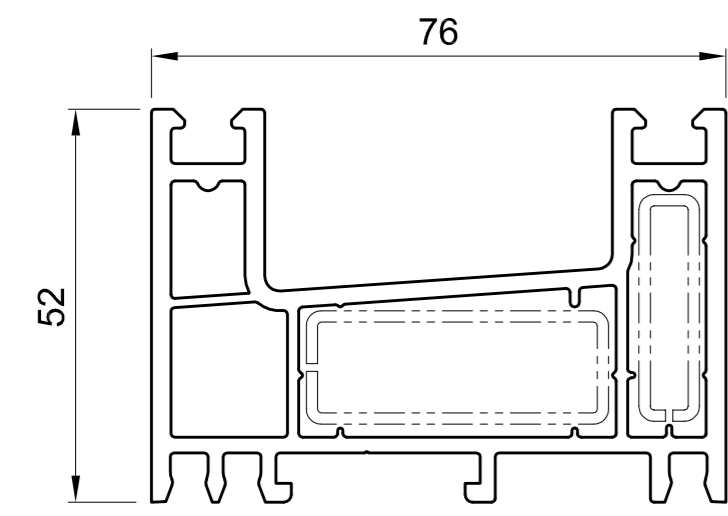
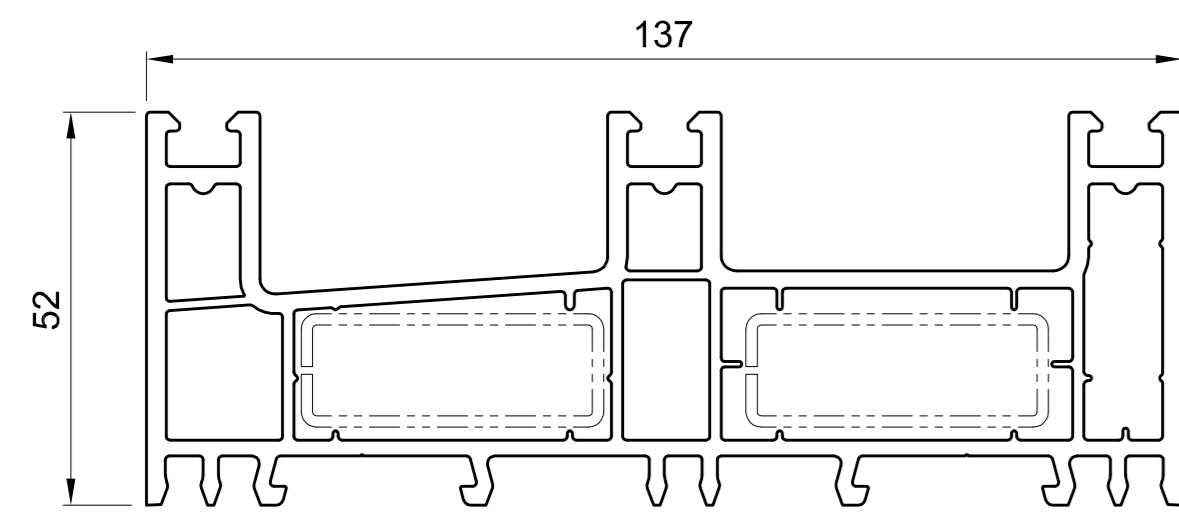


**Frame**



**600 128**

Steel tube 40x15:  
605 027  
Steel tube 8x30:  
605 029

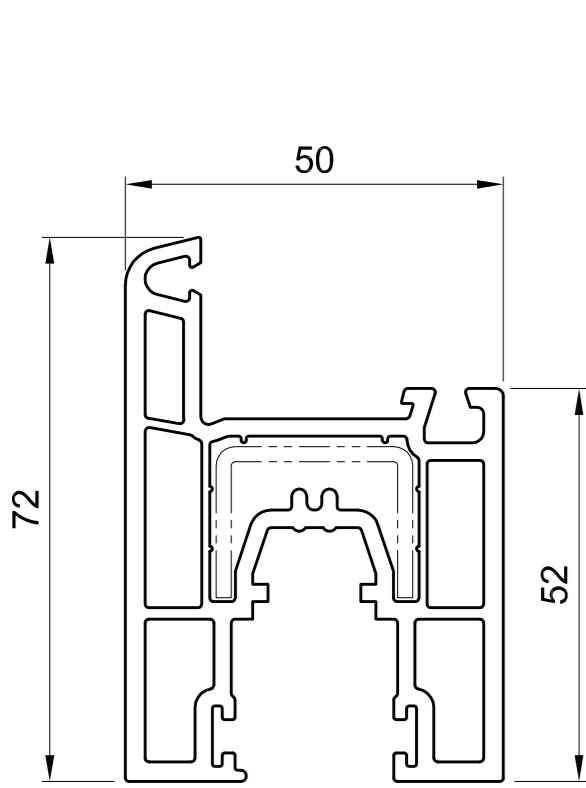


**600 138\***

Steel tube 40x15:  
605 027

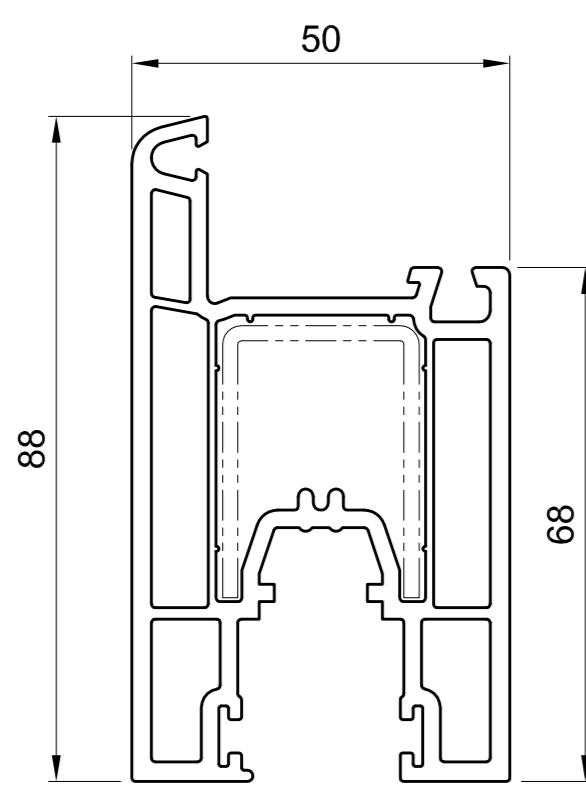
\* in preparation

**Sashes**



**601 128**

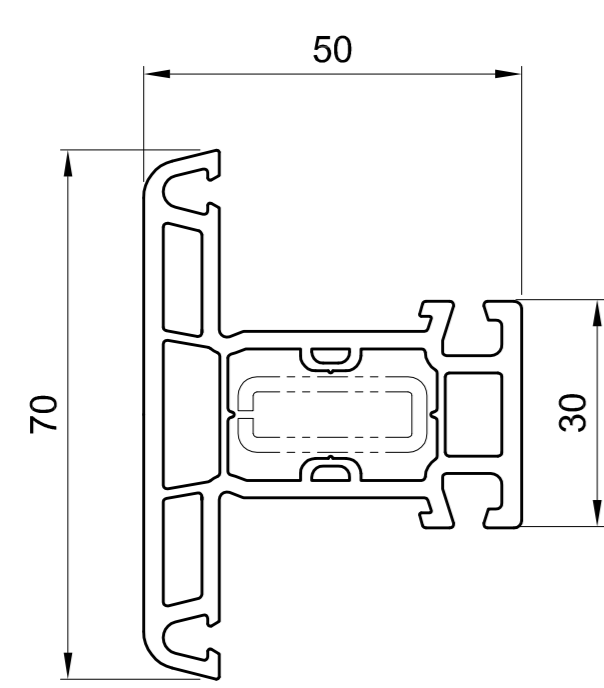
Reinforcement 26x20:  
605 320



**601 138**

Reinforcement 26x36:  
605 336

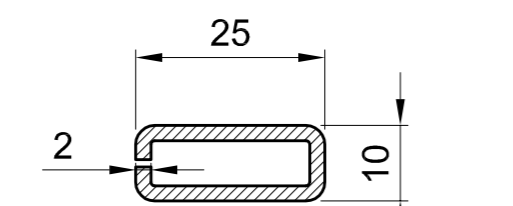
**Mullion**



**602 010**

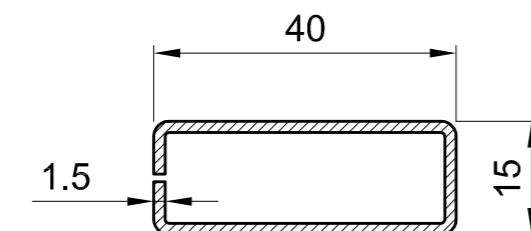
Steel tube 25x10:  
605 010

**Reinforcement**



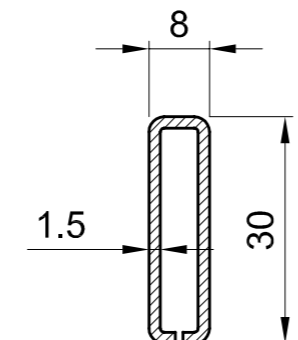
**605 010**

25 / 10 / 2 mm  
galvanized steel  
 $I_x = 0,16 \text{ cm}^4$   
 $I_y = 0,74 \text{ cm}^4$   
Insert: 602 010



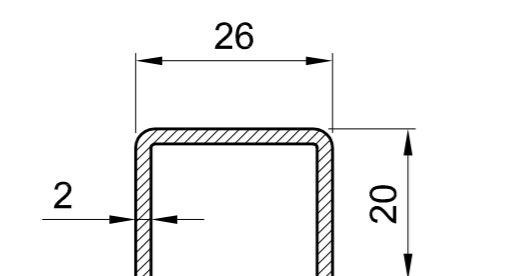
**605 027**

40 / 15 / 1,5 mm  
galvanized steel  
 $I_x = 0,58 \text{ cm}^4$   
 $I_y = 2,75 \text{ cm}^4$   
Insert: 600 128



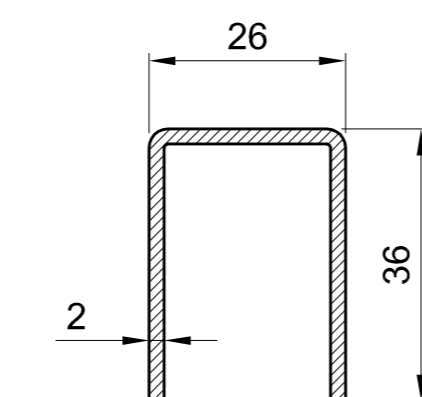
**605 029**

30 / 8 / 1,5 mm  
galvanized steel  
 $I_x = 0,88 \text{ cm}^4$   
 $I_y = 0,09 \text{ cm}^4$   
Insert: 600 128



**605 320**

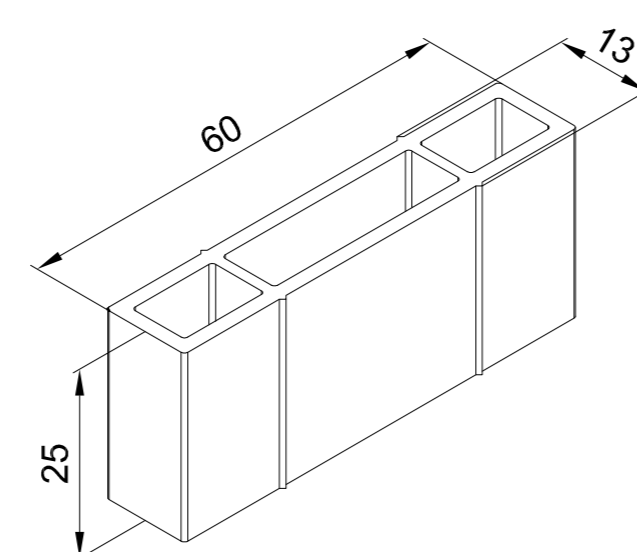
26 / 20 / 2 mm  
galvanized steel  
 $I_x = 0,49 \text{ cm}^4$   
 $I_y = 1,29 \text{ cm}^4$   
Insert: 601 128



**605 336**

26 / 36 / 2 mm  
galvanized steel  
 $I_x = 2,48 \text{ cm}^4$   
 $I_y = 2,20 \text{ cm}^4$   
Insert: 601 138

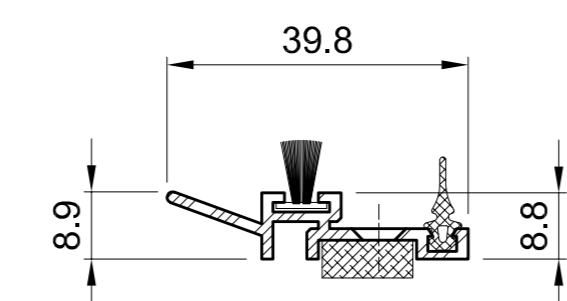
**Spacer**



**646 300**

60x25x13

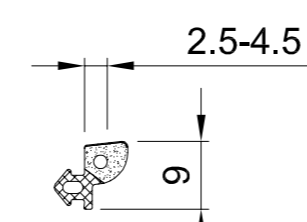
**Central sealing strip, aluminium**



**616 621**

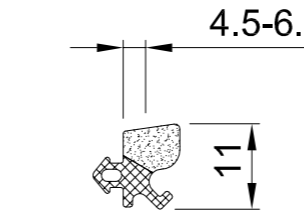
Brush gasket  
604 909  
Graze gasket  
604 930  
Pre-compressed gasket tape  
617 700

**Gaskets**



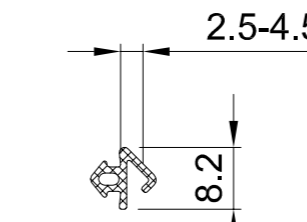
**414 566**

Glazing gasket  
for casement / mullion



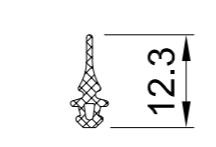
**414 573**

Glazing gasket  
foamed  
for casement / mullion



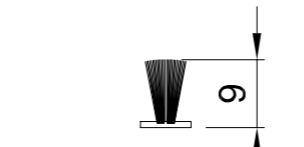
**114 010**

Glazing gasket  
for casement / mullion



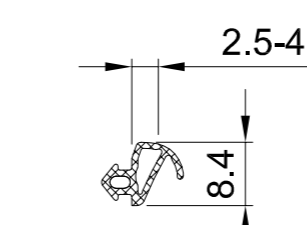
**604 930**

Graze gasket  
for central sealing strip



**604 909**

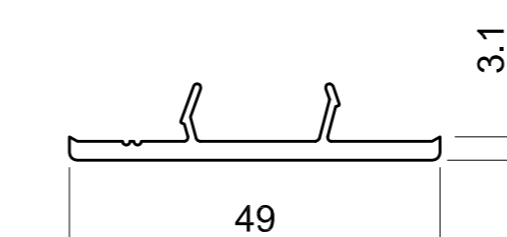
Brush gasket  
for central sealing strip



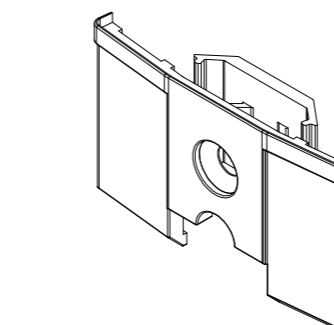
**414 025**

Gasket  
for overlap

**Cover**



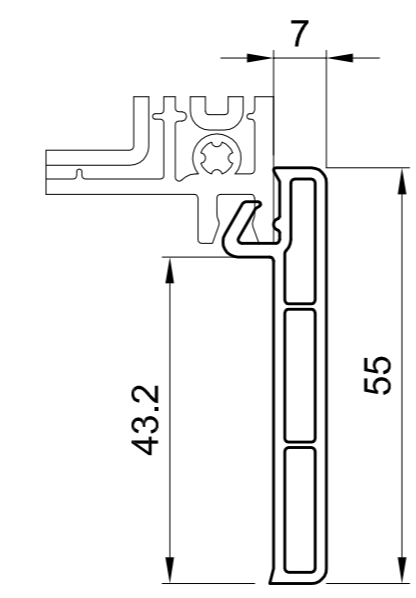
**606 180**



**607 180**

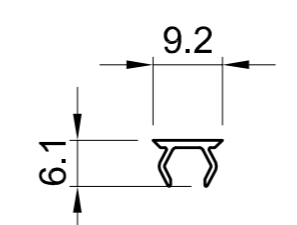
End cap

**Cover fillet**

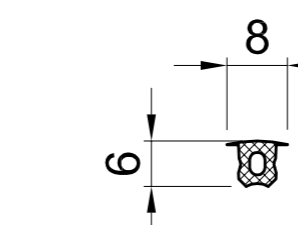


**416 182**

**Filling profile**

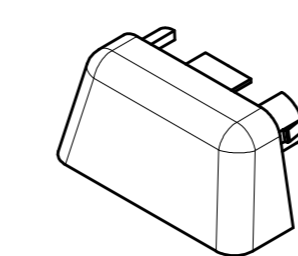


**616 390**



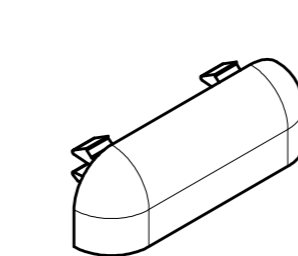
**406 410**

**Drainage cap**



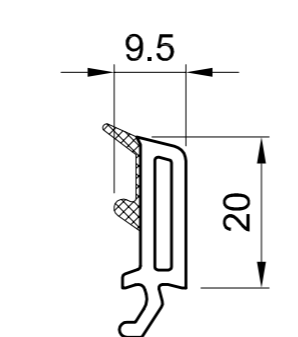
**647 022**

with back-pressure valve

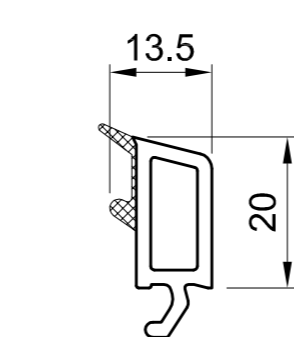


**417 022**

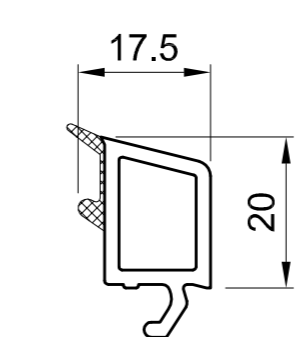
**Glazing bars**



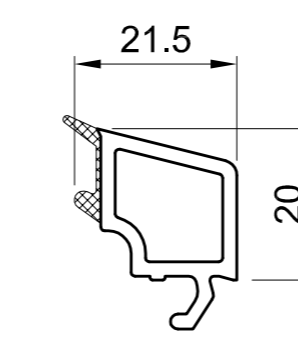
**413 809**



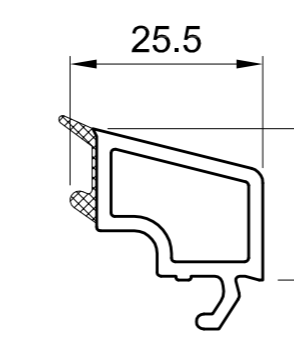
**413 813**



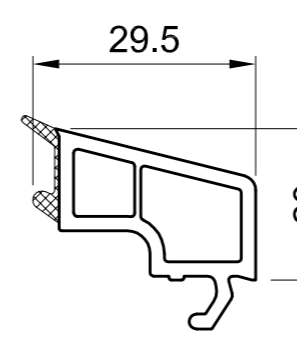
**413 817**



**413 821**

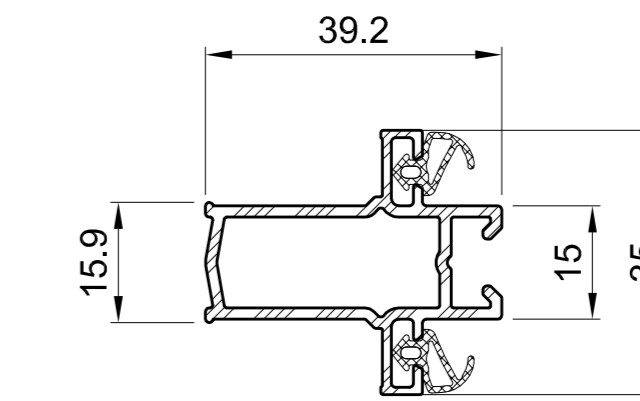


**413 825**



**413 829**

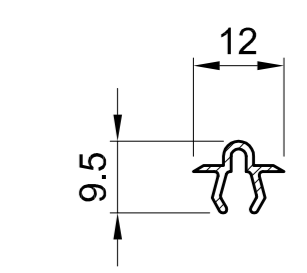
**Overlap, aluminium**



**606 620**

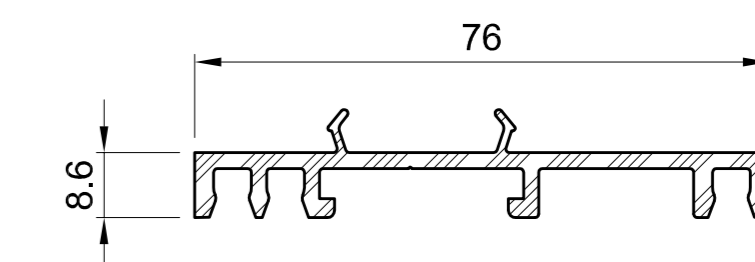
Gasket  
414 025

**Sliding rail, aluminium**



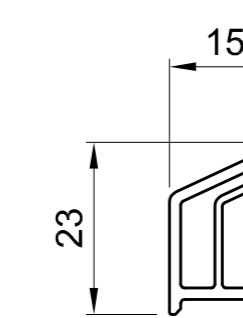
**606 685**

**Reducing adapter to 60 mm, aluminium**



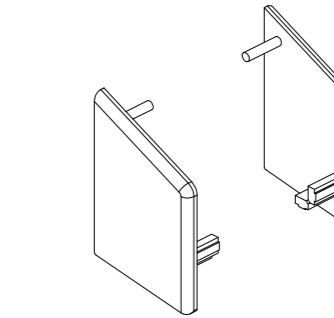
**606 380**

**Weatherboard**



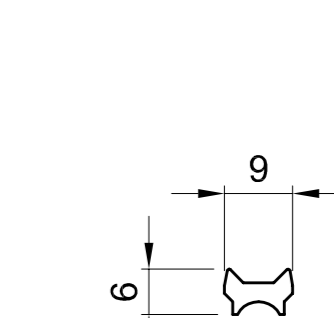
**NP0220**

Weatherboard



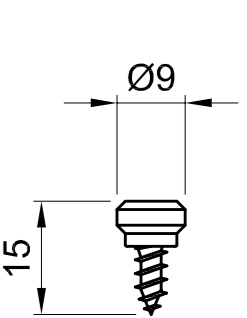
**ES0220**

End cap  
left and right version



**NP0230**

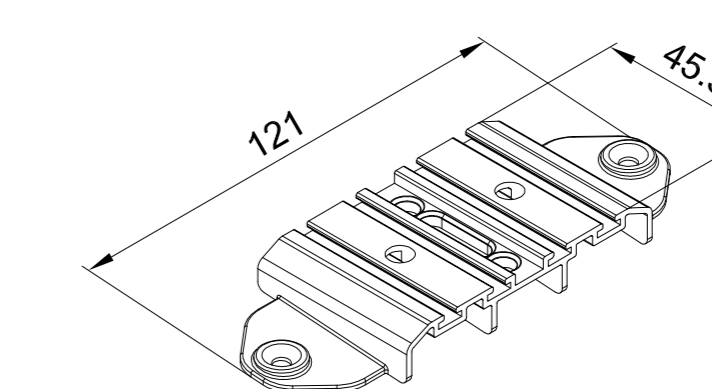
Clamping strip



**MZ1200**

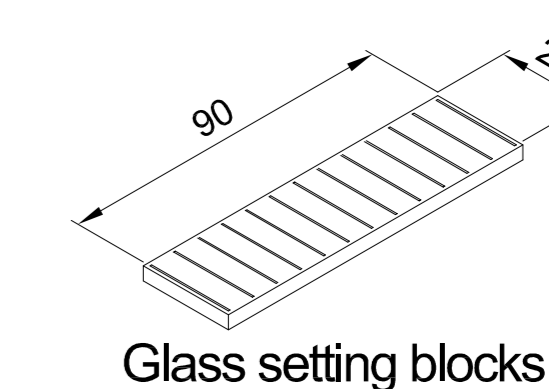
Fixing nipple

**Additional profiles**



**607 057**

Sealing bridge  
Brush gasket  
604 909



Glass setting blocks  
90x26 mm

**407 111**

1 mm grey

**407 112**

2 mm red

**407 113**

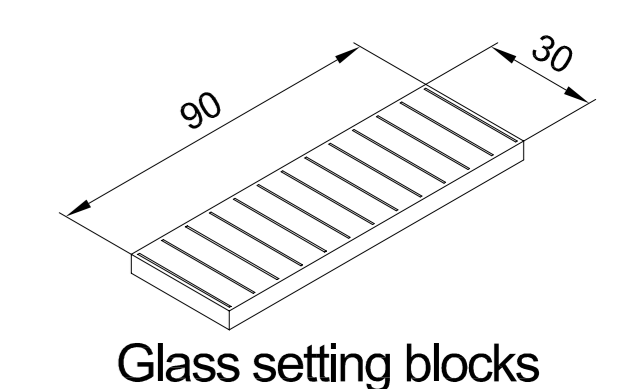
3 mm green

**407 114**

4 mm yellow

**407 115**

5 mm blue



Glass setting blocks  
90x30 mm

**407 131**

1 mm grey

**407 132**

2 mm red

**407 133**

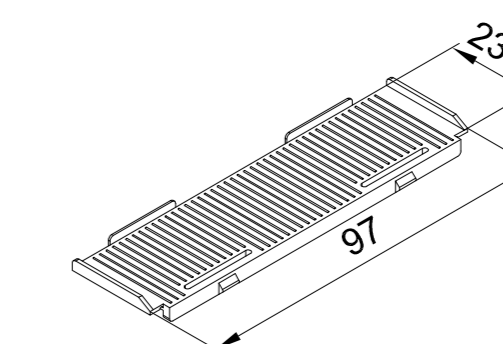
3 mm green

**407 134**

4 mm yellow

**407 135**

5 mm blue



**607 045**

Bridge setting block  
only for  
casement and mullion